

Antenna Grid 29dBi 5GHz Wis ANG5829

Smart Grid Antenna Series

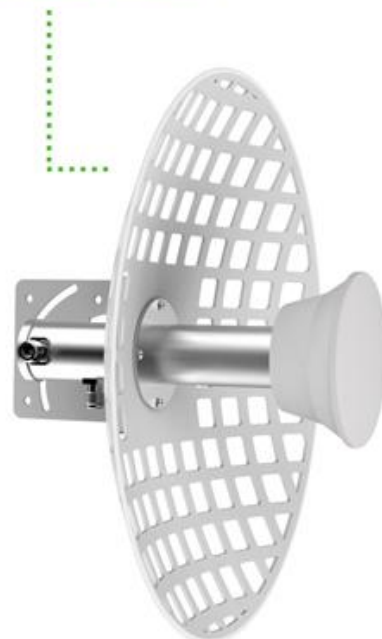
Wisnetworks smart grid antenna series is for 5GHz only with different antenna gain. It is also highly compact to work with WIS-S5300/WIS-5800N wireless base station, and a pair of those combination can be used as ultra-long distance wireless bridge, providing more than 3 km wireless point-to-point connection with best wind resistance ability.

5GHz 29dBi Φ 600mm



WIS-ANG5829

5GHz 24dBi Φ 400mm



WIS-ANG5824

WIS-ANG5829

Frequency	4.9~6.0GHz
Gain	29dBi
Horizontal Beamwidth	6°
Vertical Beamwidth	6°
Max VSWR	<1.5
F/B Ratio	N/A
Wind Survivability	150mph
Polarization	Dual-Polarization
Connectors	2*N-type Female
Certification	CE,RoHS
Temperature	-40 ~ 80°C
Dimension(mm)	600
Weight(kg)	5.4

WIS-ANG 5824

Frequency	4.9~6.0GHz
Gain	24dBi
Horizontal Beamwidth	6°
Vertical Beamwidth	6°
Max VSWR	<1.5
F/B Ratio	N/A
Wind Survivability	150mph
Polarization	Dual-Polarization
Connectors	2*N-type Female
Certification	CE,RoHS
Temperature	-40 ~ 80°C
Dimension(mm)	400
Weight(kg)	4.2

More information:

www.wisnetworks.com



DECLARATION OF CONFORMITY

We, Importer/Distributor DOTMEDIA LTD

KATEVASIAS & NTALIAS 18 AXARNAI, GREECE

In accordance with the following Directives:

**EMC Directive 2004/108/EC, Low Voltage Directive 2006 /95/EC,
R&TTE Directive 1999/5/EC**

The product is compatible with the following norms/standards

<u>Applied Standards</u>	<u>Report No.</u>
Article 3.2 : Effective Use OF the Radio Spectrum ETSI EN 300 328 V1.7.1 (2006-10)	TEK-2013NT1213776R1 (07/01/2015)
Article 3.1b : Electromagnetic Compatibility ETSI EN 301 489-17 V2.2.1 (2012-09) ETSI EN301 489-1 V1.9.2 (2011-09)	NTEK-2013NT1213774E1 (07/01/2015)
Article 3.1a : Health and Safety ETSI EN 62311:2008 EN 60950-1:2006+A11:2009+A1:2010+A12:2011	NTEK-2013NT1213774H (07/01/2015) NTEK-2013NT1213776S (23/01/2015)

Hereby we declare that:

Equipment ANTENNAS
Model number
WIS-ANO5812 / WIS-ANO2412 / WIS-ANO5807 / WIS-ANG5824 /
WIS-ANG5829 / WIS-AND5830 / WIS-AND5834
Brand name WISnetworks

Is in conformity with the applicable requirements of the following documents
I hereby declare that the equipment named above has been designed to comply with the
Relevant sections of the above referenced specifications. The unit complies with all
Applicable Essential Requirements of the Directives

Place and date of issue

AXARNAI, 09/03/2018

Signature

DOTMEDIA ΕΜΠΟΡΙΑ ΑΝΑΛΟΓΙΣΜΩΝ ΕΙΔΩΝ
& ΕΦΑΡΜΟΓΩΝ ΠΛΗΡΟΦΟΡΙΚΗΣ ΕΠΕ
ΥΠΟΛΟΓΙΣΤΕΡΙΑ ΚΑΙ ΠΡΟΪΚΤΑ ΕΣΟΧΑΙΜΟΥ
ΚΑΤΕΒΑΣΙΑΣ 18 & ΝΤΑΛΙΑΣ, ΑΧΑΡΝΕΣ Τ.Κ. 17671
Α.Φ.Μ.: 999075747 - Δ.Ο.Υ.: ΑΧΑΡΝΩΝ
ΤΗΛ.: 210 2849836, 210 2840486, 210 2849419
FAX: 210 2446835

(Theodoros Mavroeidis)