



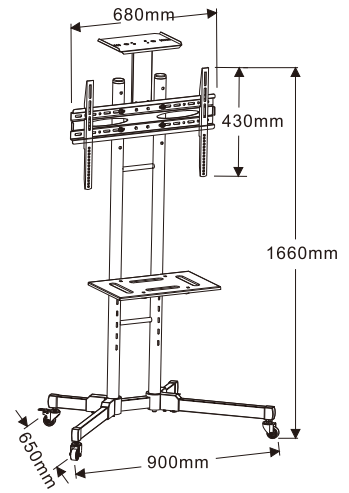
**Professional Mobile TV Trolley**  
 The mobile TV Trolley is ideal to be used for schools, hotels, conference rooms, lobbies, hospitals, and shops. It is movable, and the tv mount is height adjustable for offering perfect viewing position.



**T014**

- Professional Mobile TV Trolley with camera holder
- Height adjustable of tv brackets
- Heavy duty casters
- Metal shelf height adjustable

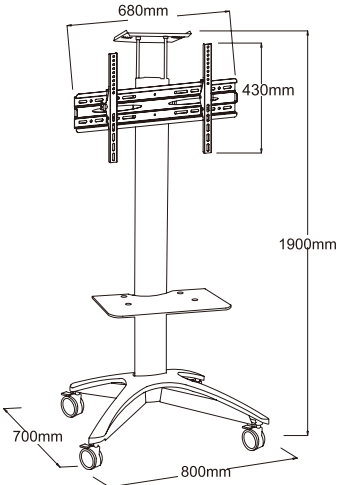
600X400    MAX 50Kg    32"-65"



**T016**

- Professional Mobile TV Trolley with camera holder
- Height adjustable of tv brackets and shelf
- Heavy duty casters
- Tempered glass thickness 6mm
- Tilt: -/+15°

600X400    MAX 50Kg    32"-65"    -15°/+15°



solid Packing available for online shopping delivery



**T015**

- Professional Mobile TV Trolley with camera holder
- Height adjustable of tv brackets and shelf
- Heavy duty casters
- Tempered glass thickness 6mm
- Solid MDF basement offers nice look

600X400    MAX 50Kg    32"-65"

