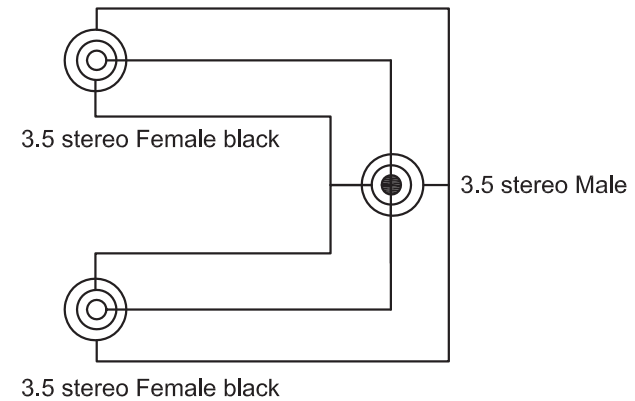
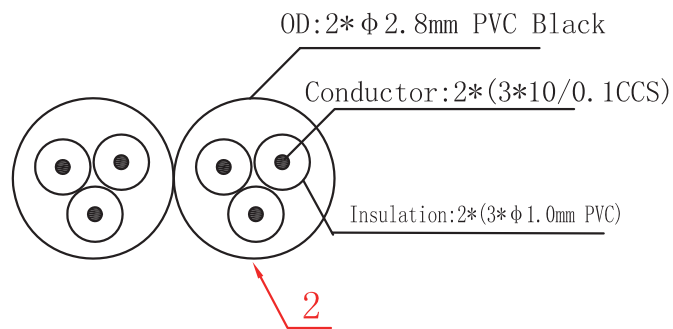


WIRING DIAGRAM

SPECIFICATION



NOTE:

1. TESTING: 100% OPEN AND SHORT AND MISWIRE TEST.
2. CONDUCTION RESISTANCE: 5 OHM MAX
3. INSULATION RESISTANCE: 10 OHM MAX
4. WITHSTAND VOLTAGE: 300V
5. 100% RoHS COMPLIANT.

NO.	ITEM NO.	EAN CODE:	L
1	CA1046	4052792008807	0,2m

No.	PART NAME	DESCRIPTION	QTY	REMARK	APPROVE BY	CHECK BY	DRAW BY	SCALE	MM
④	CONNECTOR 2	3.5 STEREO Female NI	2		DRAW No.	NAME	Audio cable, 1 X 3,5mm male to 2 X 3,5mm female, 0,2m		
③	MOLD HOLD	PVC 45P Color Black	3		CUSTOMER	2direct GmbH	MAPE	TOLERANCE	
②	CABLE	3C AUDIO CABLE Cold Black	2		CUSTOMER No.			X. ±1.00 X.X ±0.50	
①	CONNECTOR 1	3.5 STEREO Male NI	1						
						William	AV1211191	PAGE	1/2

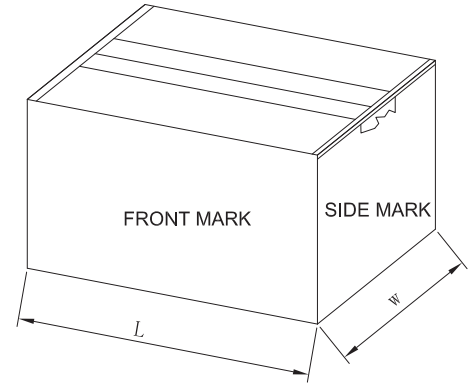
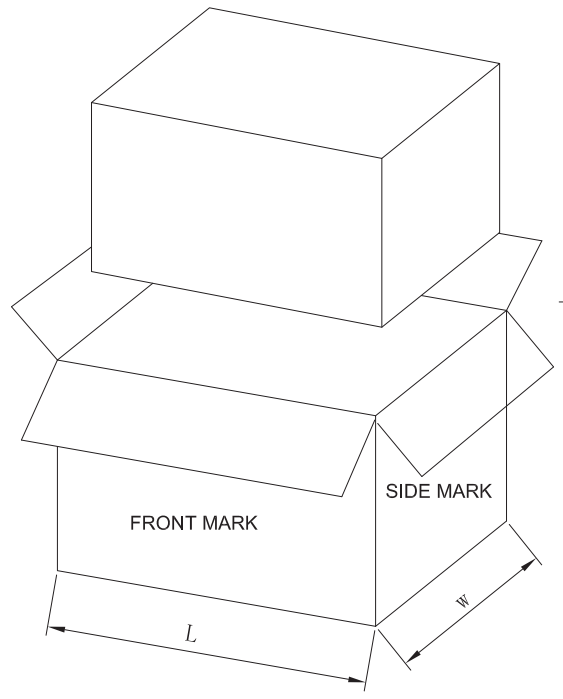
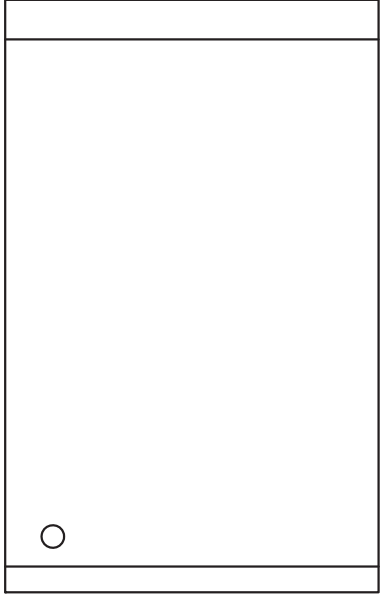
FILE AMEND NOTE	DATE	REV.
ORIGINAL EDITION	2012/11/19	A/0

PACKING DRAW:



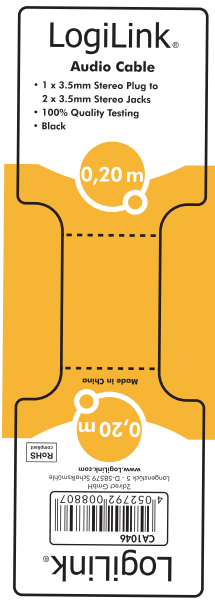
1PCS/BAG

⑥



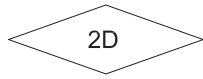
“I” shaped packaging
three packaging tape

STICKER



Pantone 1235C, Black
Size: 48x150 mm R= 2mm
材質: 80P銅版紙, 上亮PP(光膠)

OUTER CARTON
FRONT MARK:



GERMANY
C/NO.: 01,02...
MADE IN CHINA

OUTER CARTON
SIDE MARK:

PO NO.:
ITEM NO.:
Q'TY: PCS
N.W: KGS
G.W: KGS
Dimension:
EAN CODE:

NOTE:
Electrical test:
100% open short & miss wire test;

DRAW No.	NAME	Audio cable, 1 X 3,5mm male to 2 X 3,5mm female, 0,2m		
CUSTOMER	2direct GmbH	MAPE	TOLERANCE	
CUSTOMER No.			X.	± 1.00
			X.X	± 0.50
APPROVE BY	CHECK BY	DRAW BY	SCALE	MM
	William	AV1211191	PAGE	2/2

No.	PART NAME	DESCRIPTION	QTY	REMARK
-----	-----------	-------------	-----	--------